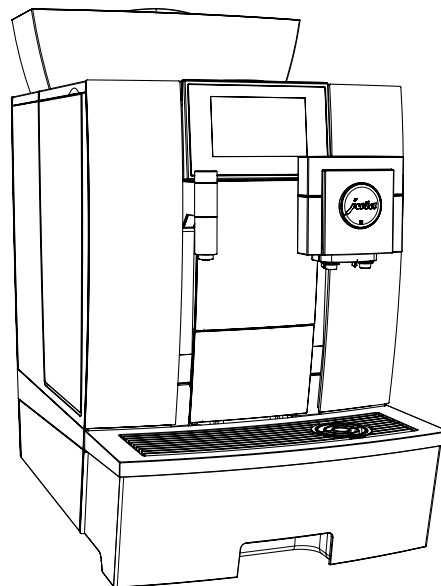


## Technical documentation

### GIGA X3c



#### Supplied as standard

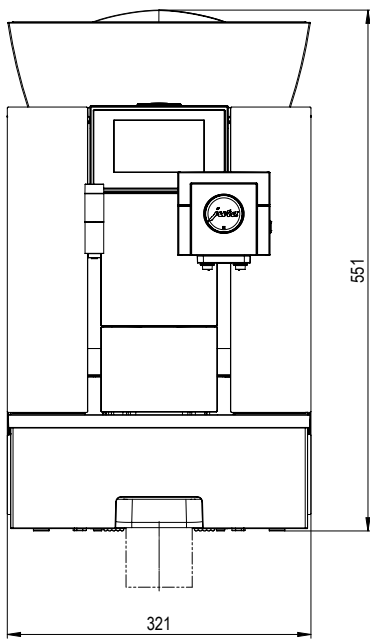
- Automatic speciality coffee machine
- Milk system cleaner, 100 ml
- Container for milk system cleaning
- Welcome Pack:
  - Instructions for use
  - Cleaning tablets
  - Air intake pipe
  - Silicone hose and connector
  - Spanner with hexagonal hole (for milk system)

#### Requirements for installation location

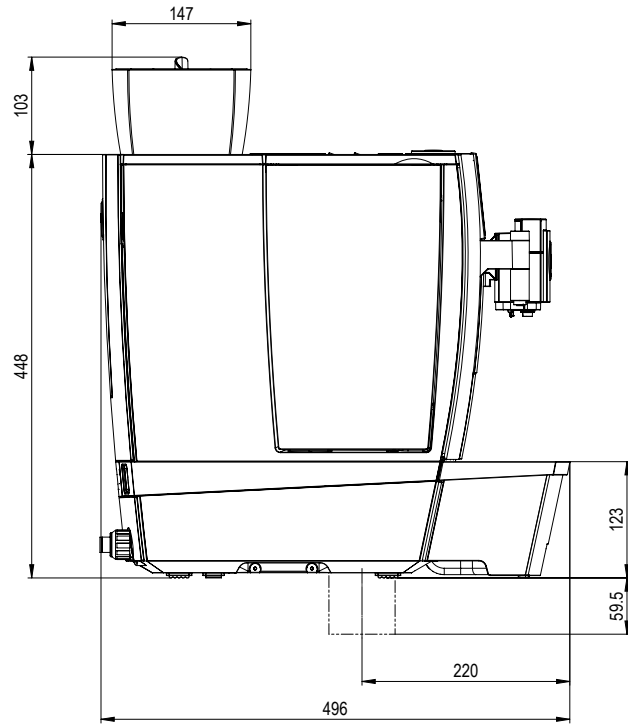
- Horizontal surface that is not sensitive to water
- Ambient conditions:
  - Air humidity max. 80%
  - Ambient temperature 10–35°C
- i** The required connections at the customer's premises must be carried out by an approved **qualified person** before the JURA service technician can set up the GIGA at your chosen location.
- i** Please make sure that the building connections are as close as possible to the location of the machine (refer to length of connection pipes).

Always note the information in the instructions for use for your coffee machine (Chapter 1 “Preparing and using for the first time” – “Requirements for first-time use” / “Setting up the machine”).

## Dimensions

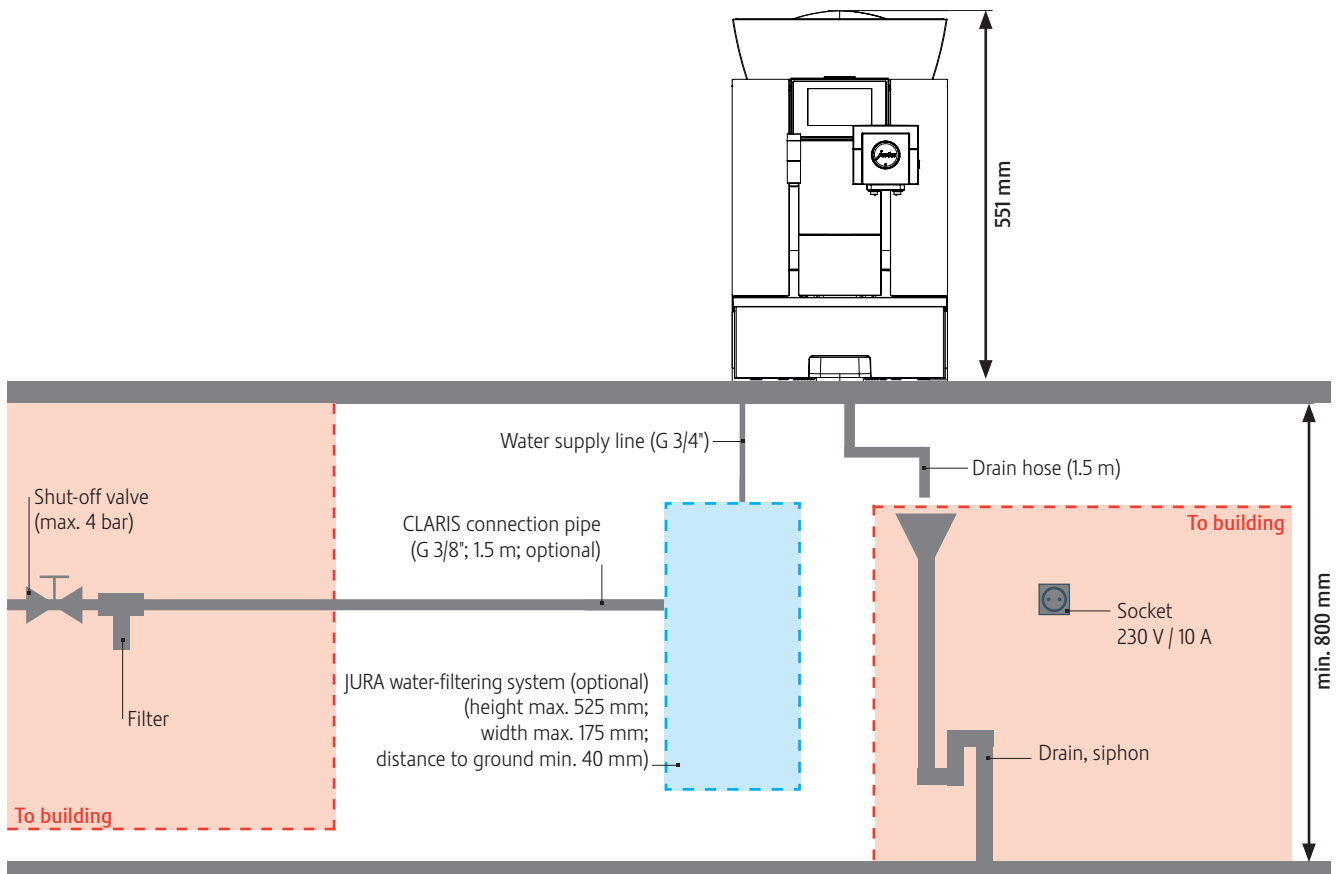


Outline



Side outline

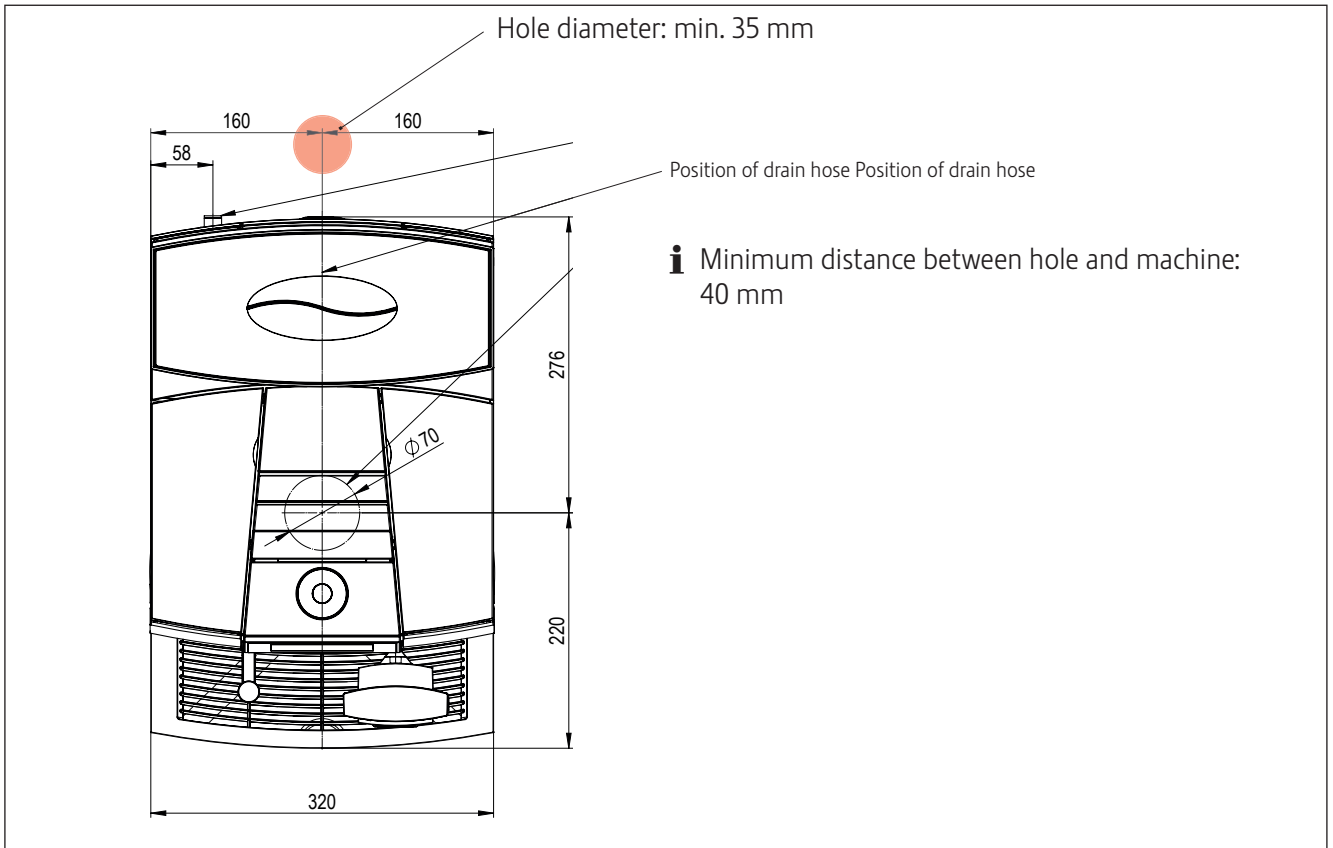
## General space needed



## Coffee grounds disposal / drip drain set GIGA<sup>G2</sup>

**i** With your GIGA<sup>G2</sup>, the coffee grounds disposal function and/or the drip drain component can be used independently of one another. Depending on the component selected, one or two holes are required in the work surface. For the size and position of the relevant hole, please refer to the two diagrams that follow.

### Hole for the drain hose



### Hole for the coffee grounds disposal function

